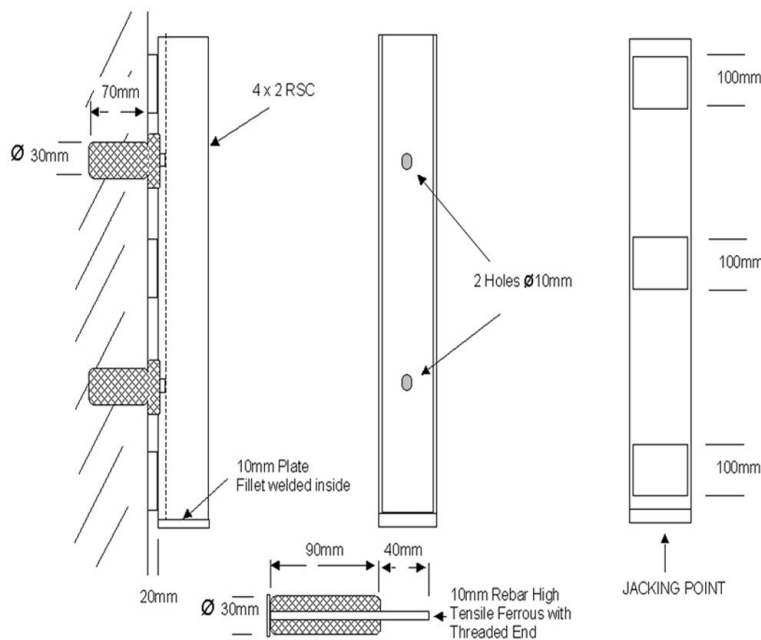


# Wylfa Power Station (UK)



**A brick concrete structure near to the central core of Wylfa Power Station was deemed to be at potential risk of collapse in the unlikely event of strong seismic activity. The walls consist of an inner and outer leaf of brick and concrete and the connections tying the two together were considered unsatisfactory. Heavy duty high tensile ferrous 12mm diameter wall ties were installed to secure the structure in the event of an earthquake. A number of Cintec Stud Anchors were also installed to provide anchorage for electrical equipment (fuse boxes, cable ducts, pipes etc) which were subsequently attached to the inner leaf.**



**Cintec anchorage for electrical equipment.**